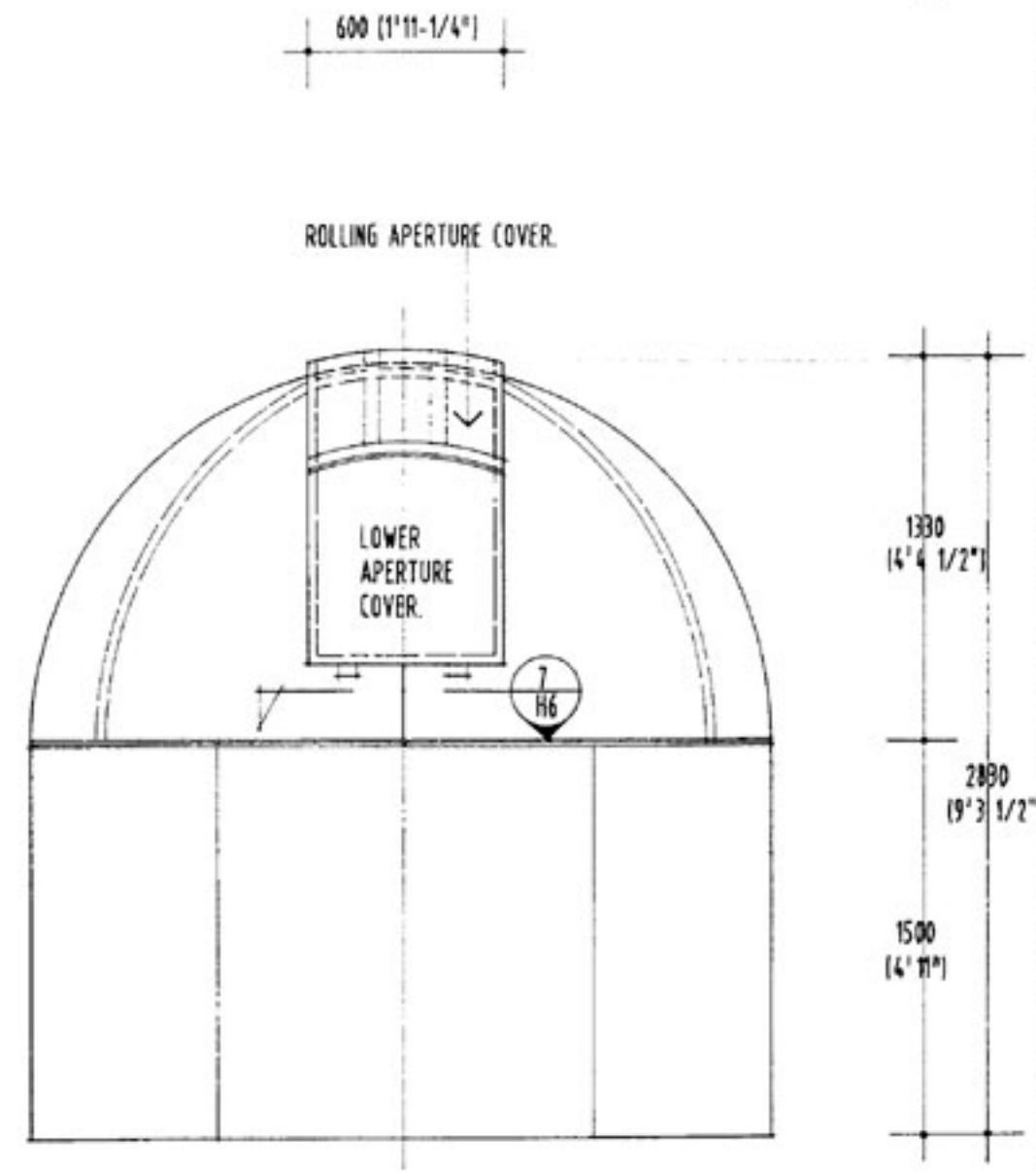


FLOOR PLAN. : DOME



ELEVATION

NOTE :

ALL RIGHTS RESERVED FOR THE EXCLUSIVE USE OF PENINSULA FIBREGLASS (QLD) PTY. LTD.

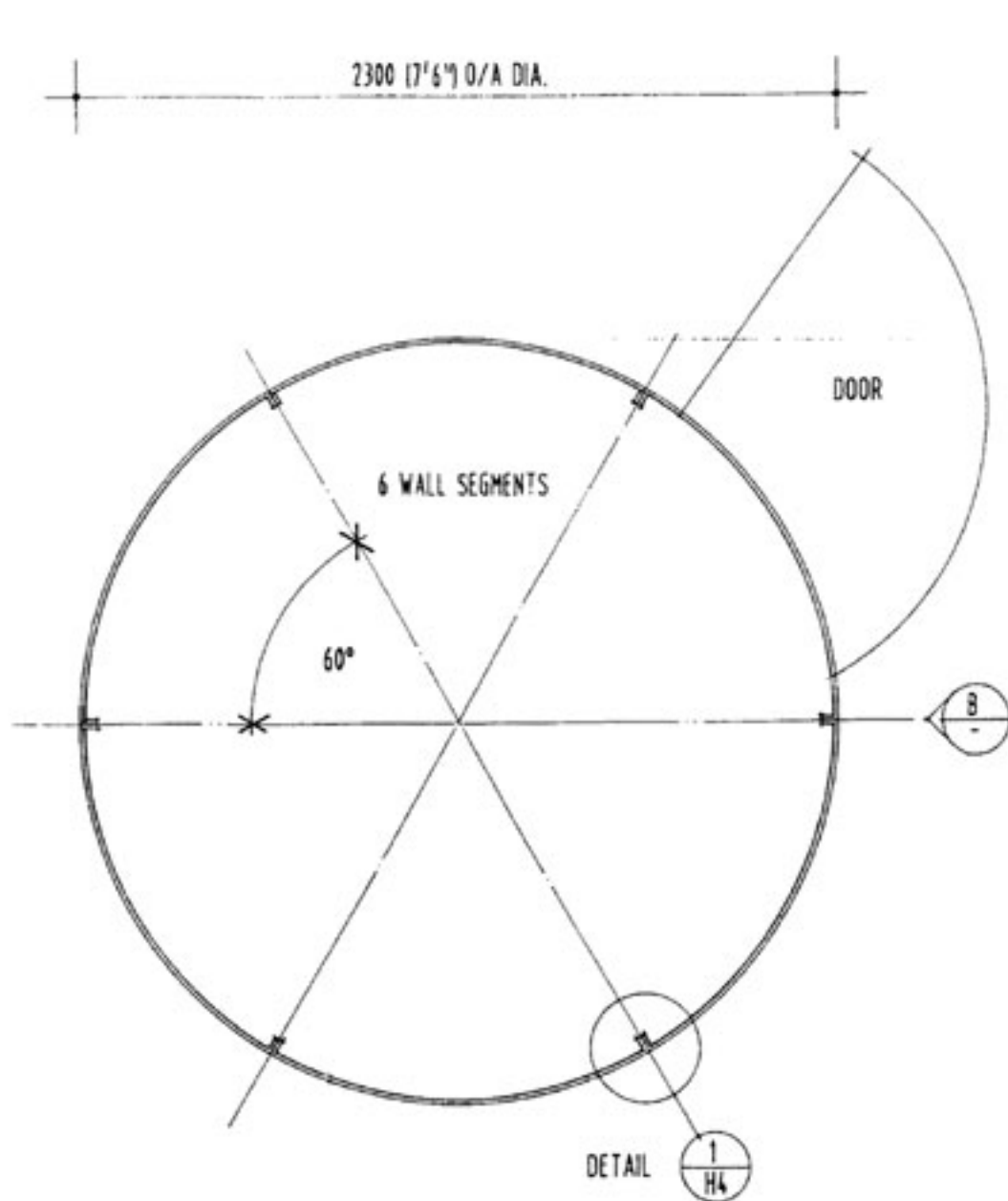
AMENDMENTS : (A) HEIGHT OF DOME
 SCALE : 1:20
 CHECKED :

PROJECT : **STANDARD ASSEMBLY DETAILS :
 HOME MODEL
 ASTRONOMICAL OBSERVATORY.**
 8.8.01

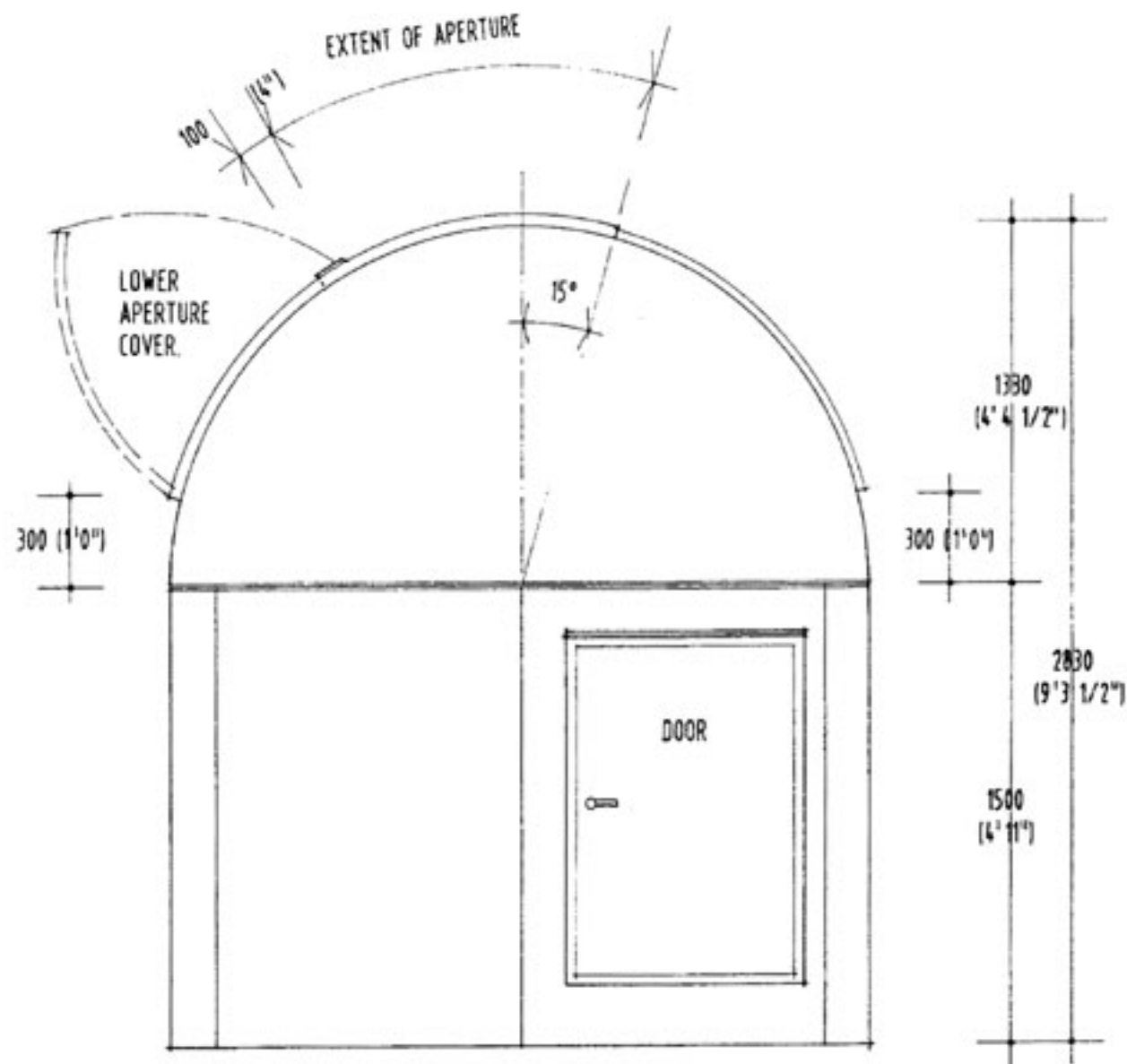
**SIRIUS OBSERVATORIES
 & PLANETARIUMS AUSTRALIA.**
 A DIVISION OF PENINSULA FIBREGLASS (QLD) PTY. LTD.
 33 FILMER STREET, CLONTARF, QUEENSLAND, 4019, AUSTRALIA.
 PHONE (61) 7 3284 2111. FAX. (61) 7 3284 4827.
 E-MAIL. INFO@SIRIUSOBSERVATORIES.COM

CLIENT :
 TITLE : **DOME PLAN & ELEVATION.**

MODEL : HOME
 © COPYRIGHT.
 DRG. H2A



FLOOR PLAN : WALLS.



ELEVATION B-B B/H2

NOTE :

ALL RIGHTS RESERVED FOR THE EXCLUSIVE USE OF PENINSULA FIBREGLOSS (QLD) PTY. LTD.

REVISIONS : (A) HEIGHT OF DOME

PROJECT : **STANDARD ASSEMBLY DETAILS :
HOME MODEL
ASTRONOMICAL OBSERVATORY.**

**SIRIUS OBSERVATORIES
& PLANETARIUMS AUSTRALIA.**
A DIVISION OF PENINSULA FIBREGLOSS (QLD) PTY. LTD.
33 FILMER STREET, CLONTARF, QUEENSLAND, 4019, AUSTRALIA.
PHONE (61) 7 3284 2111. FAX (61) 7 3284 4027.
E-MAIL. INFO@SIRIUSOBSERVATORIES.COM

CLIENT :

MODEL : HOME

TITLE :

PLAN & ELEVATION.

© COPYRIGHT.

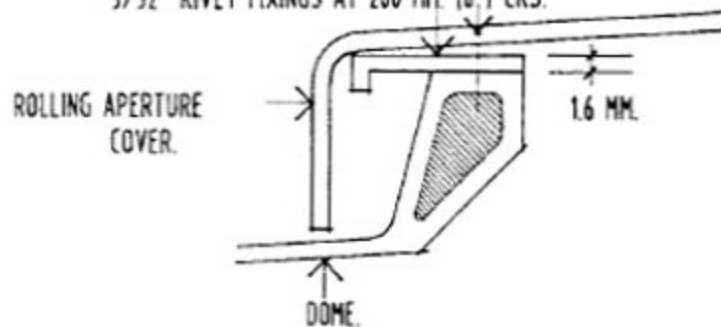
DRG. H3 A

SCALE : 1:20.

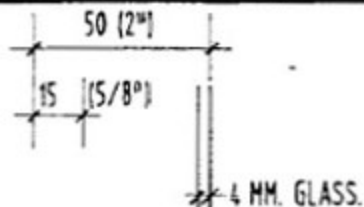
CHECKED :

9.8.01.

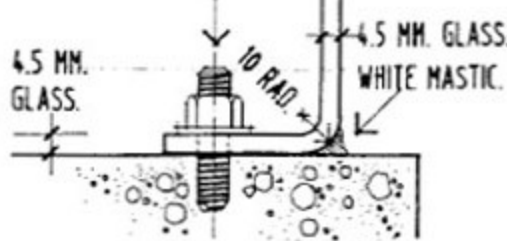
40 MM. (1-5/8") ALUMINIUM PLATE GUIDE.
5/32" RIVET FIXINGS AT 200 MM. (8") CRS.



DETAIL $\frac{4}{-}$ DETAIL BETWEEN GUIDE WHEELS.

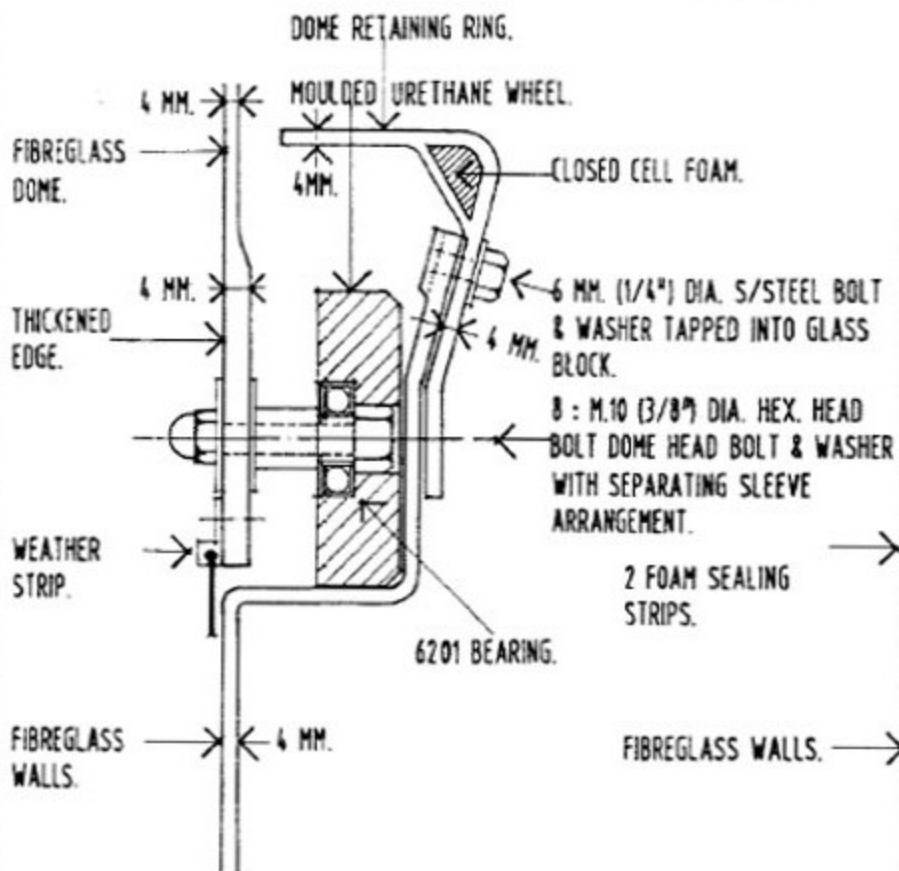


CONCRETE ANCHOR : SEE SHEET H1 FOR SIZE & DETAIL.

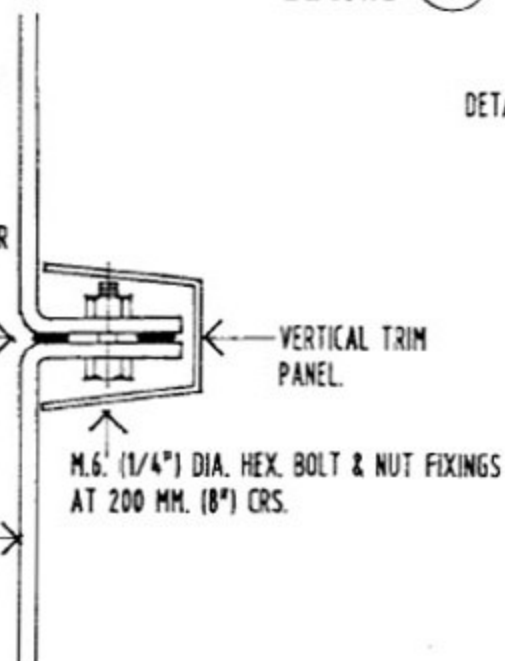


NOTE : 2 ANCHOR FIXINGS PER WALL PANEL.

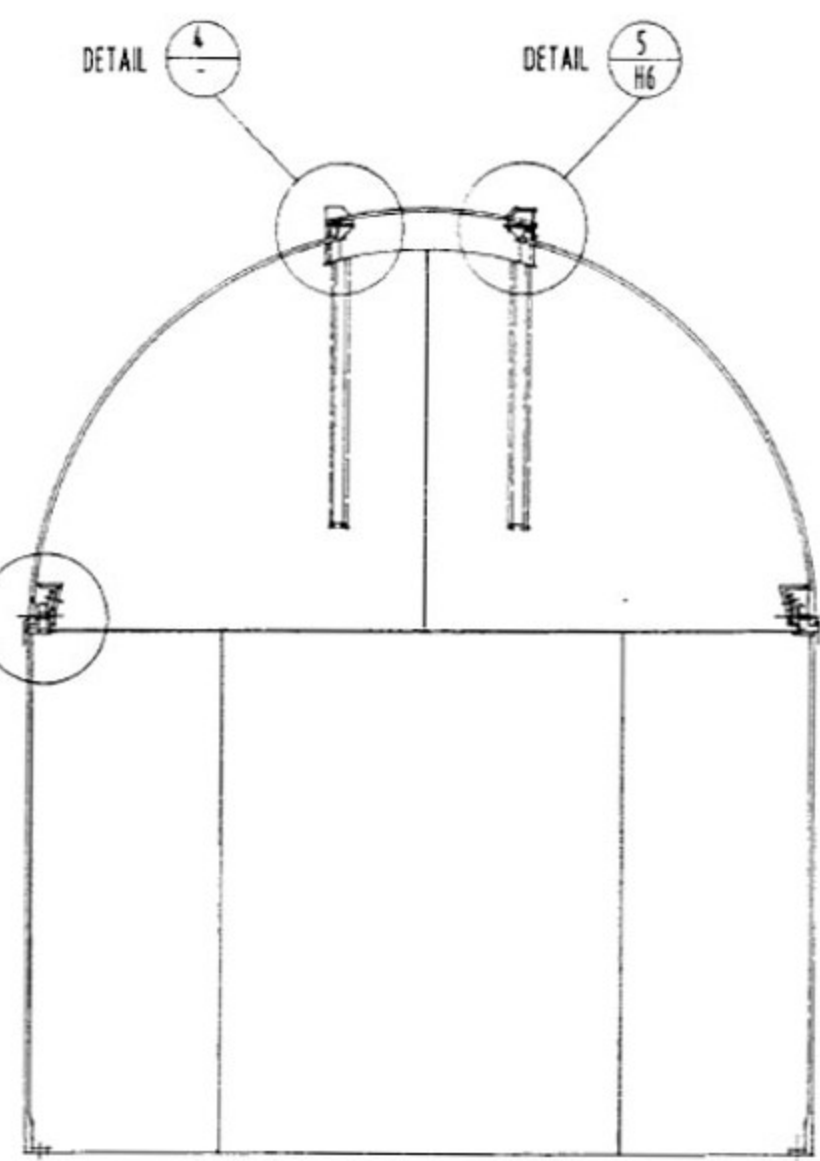
DETAIL $\frac{3}{-}$



DETAIL $\frac{2}{-}$



DETAIL $\frac{1}{H3}$



SECTION $\frac{C}{H2}$

NOTE :

ALL RIGHTS RESERVED FOR THE EXCLUSIVE USE OF PENINSULA FIBREGLASS (QLD) PTY. LTD.

AMENDMENTS : (A) WALL/DOME THICKNESS
SCALES: 1:20. 1:2. CHECKED :

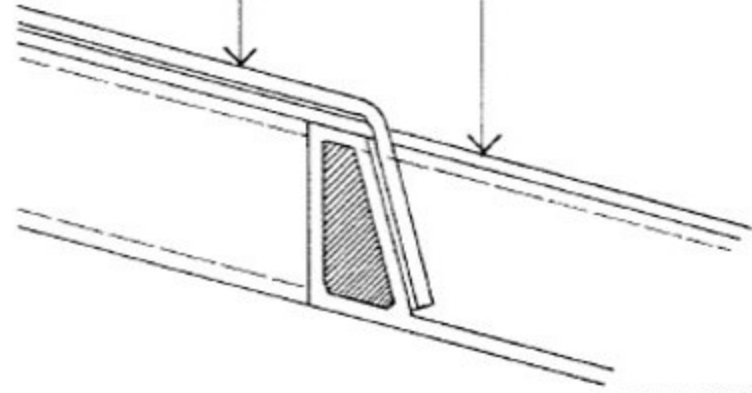
PROJECT : **STANDARD ASSEMBLY DETAILS : HOME MODEL ASTRONOMICAL OBSERVATORY.**
10.8.01.

SIRIUS OBSERVATORIES & PLANETARIUMS AUSTRALIA.
A DIVISION OF PENINSULA FIBREGLASS (QLD) PTY. LTD.
33 FILMER STREET, CLONTARF, QUEENSLAND, 4019, AUSTRALIA.
PHONE (61) 7 3284 2111, FAX (61) 7 3284 4827.
E-MAIL INFO@SIRIUSOBSERVATORIES.COM

CLIENT :
TITLE : **SECTIONS.**

MODEL : HOME.
© COPYRIGHT.
DRG. **H4** A

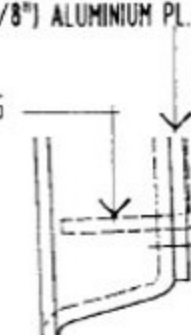
ROLLING APERTURE COVER. 40 MM. (1-5/8") ALUMINIUM PLATE GUIDE.



DETAIL 7

40 MM. (1-5/8") ALUMINIUM PL. GUIDE.

POSITION OF ROLLING APERTURE COVER WHEN OPEN.



LOWER APERTURE COVER.

HINGE

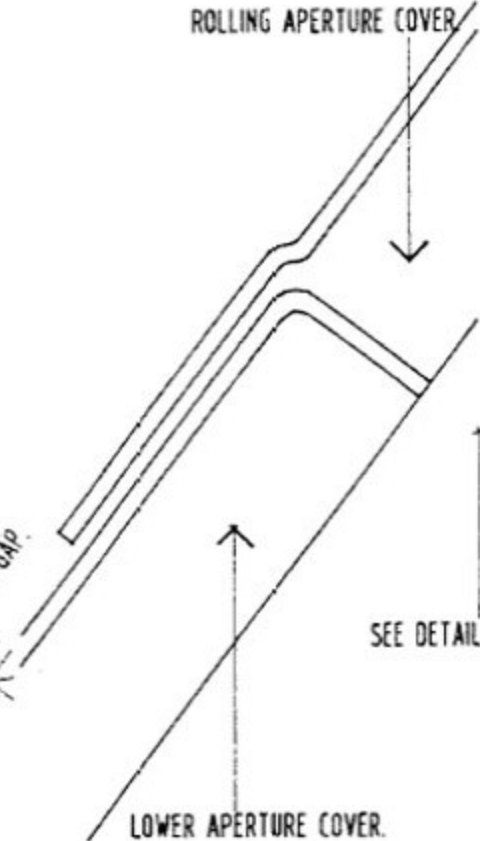
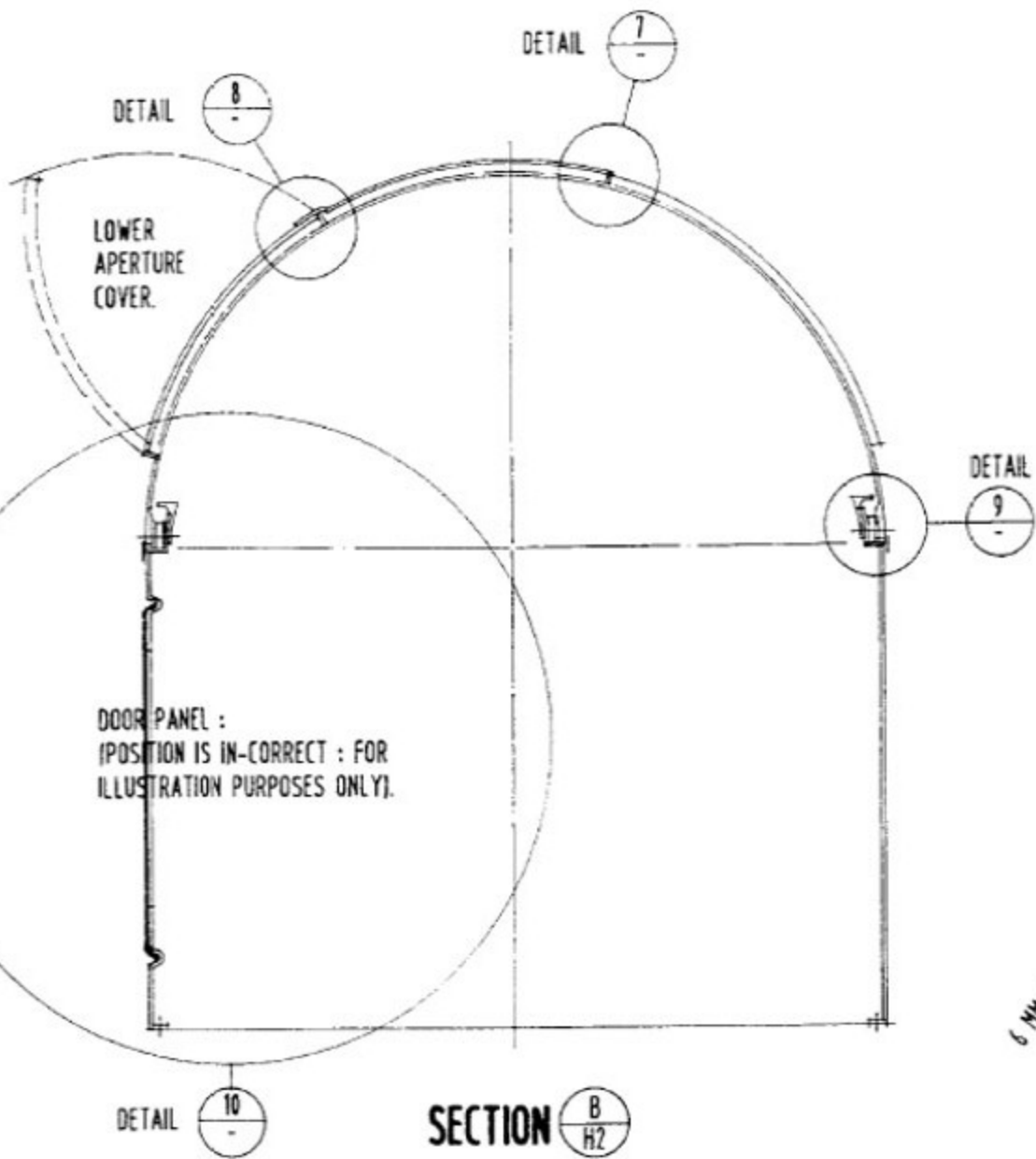
DOME RETAINING RING.

WHEEL ASSEMBLY AS PER DETAIL 2/H4

FIBREGLASS DOOR.

FIBREGLASS DOOR PANEL.

DETAIL 10 1:5



DETAIL 8

SEE DETAIL 2/H4

DETAIL 9

NOTE :
ALL RIGHTS RESERVED FOR THE EXCLUSIVE USE OF PENINSULA FIBREGLASS (QLD) PTY. LTD.

AMENDMENTS :
6 MM. GAP BETWEEN APERTURES : DETAIL 8.

SCALES : 1:20. 1:5. 1:2. CHECKED :

PROJECT : **STANDARD ASSEMBLY DETAILS :
HOME MODEL
ASTRONOMICAL OBSERVATORY.**

10.8.01.

**SIRIUS OBSERVATORIES
& PLANETARIUMS AUSTRALIA.**
A DIVISION OF PENINSULA FIBREGLASS (QLD) PTY. LTD.
33 FILMER STREET, CLONTARF, QUEENSLAND, 4019, AUSTRALIA.
PHONE (61) 7 3284 2111. FAX (61) 7 3284 4827.
E-MAIL: INFO@SIRIUSOBSERVATORIES.COM

CLIENT :

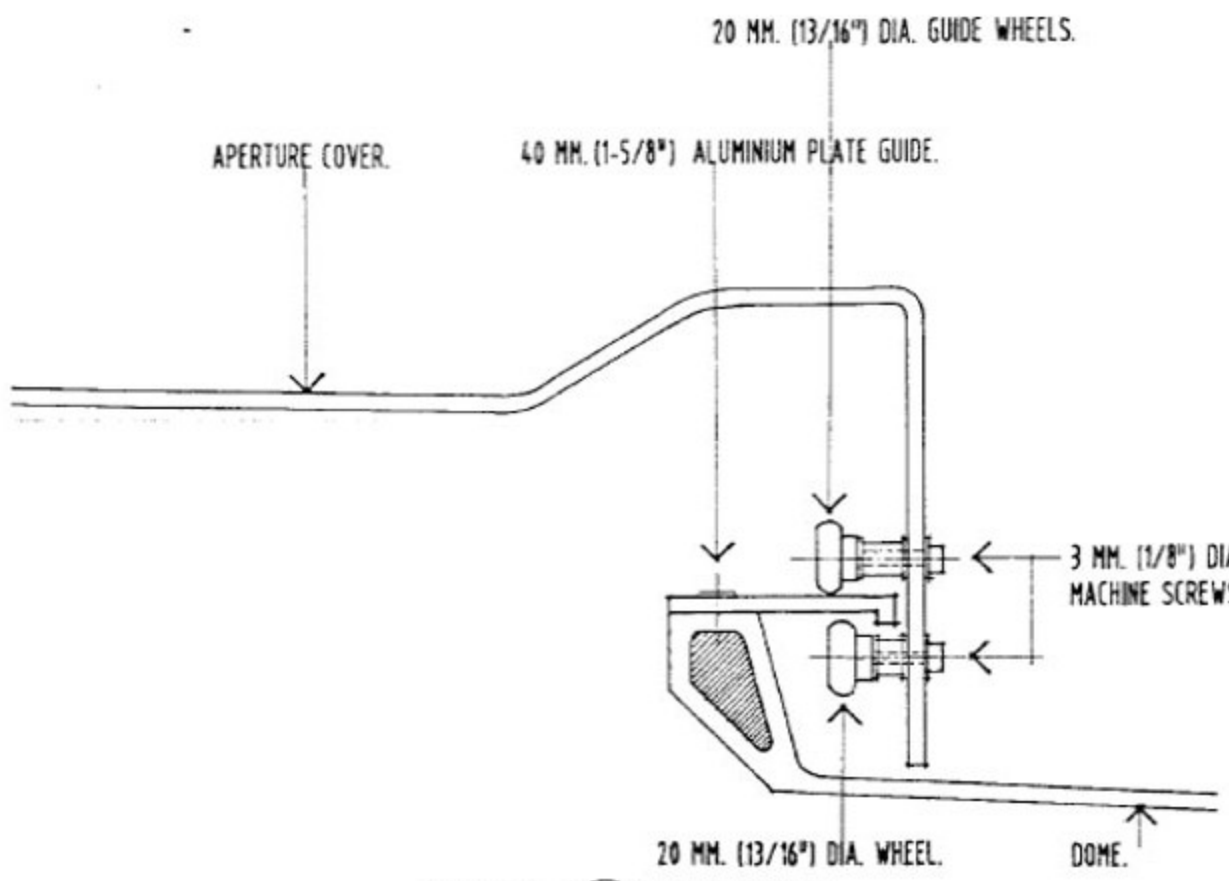
TITLE :

DETAILS

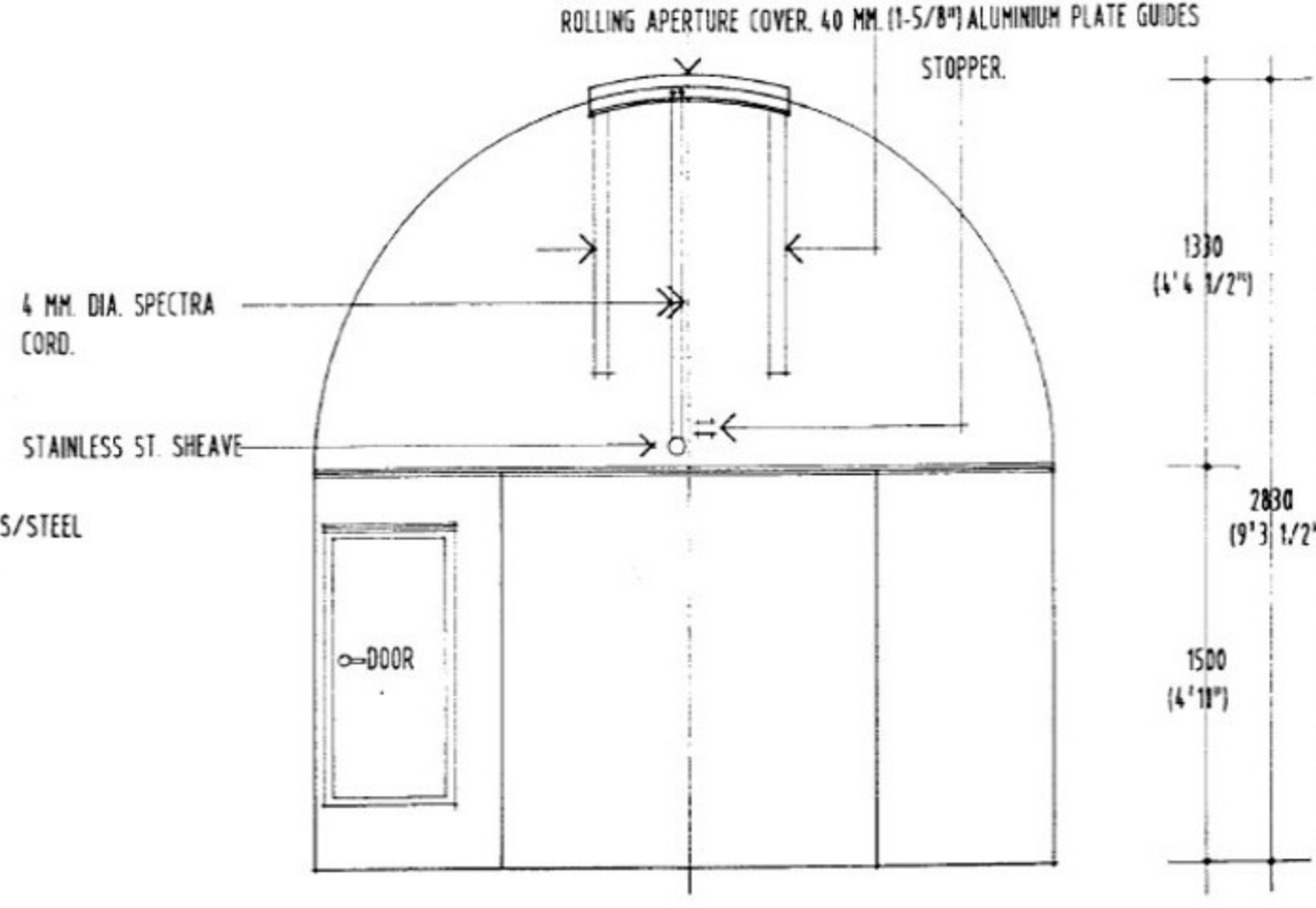
MODEL : HOME.

© COPYRIGHT.

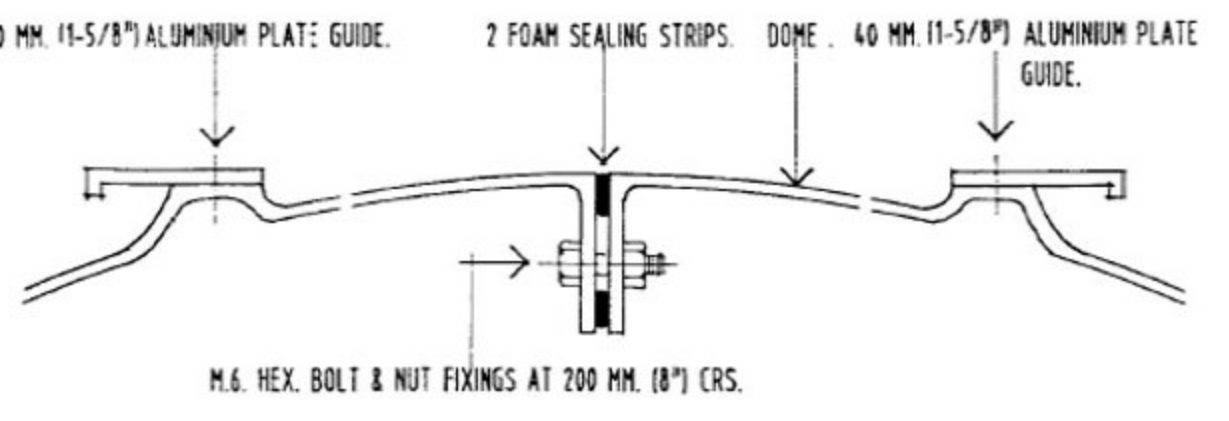
DRG. **H5.**



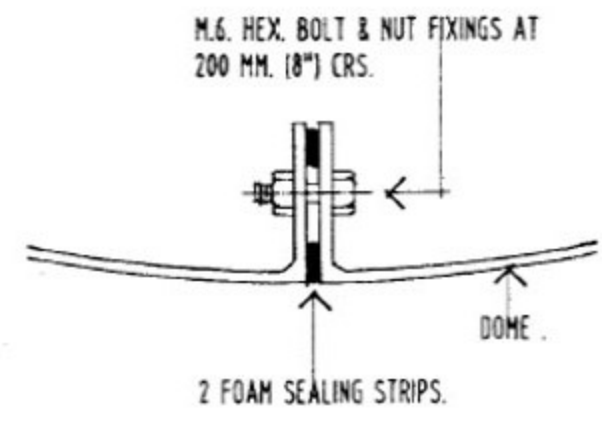
DETAIL $\frac{5}{H4}$ **DETAIL AT GUIDE WHEEL.**



ELEVATION $\frac{C}{H2}$



SECTION $\frac{6}{H2}$



SECTION $\frac{7}{H2}$

AMENDMENTS : (A) HEIGHT OF DOME

PROJECT : **STANDARD ASSEMBLY DETAILS : HOME MODEL ASTRONOMICAL OBSERVATORY.**

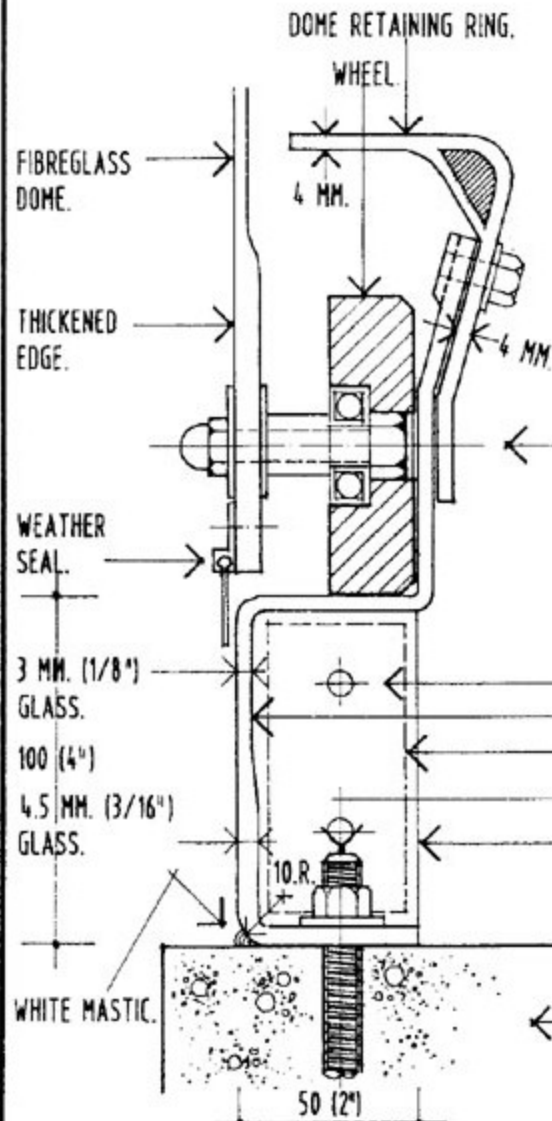
SIRIUS OBSERVATORIES & PLANETARIUMS AUSTRALIA.
 A DIVISION OF PENINSULA FIBREGLASS (QLD) PTY. LTD.
 33 FILMER STREET, CLONTARF, QUEENSLAND, 4019, AUSTRALIA.
 PHONE (61) 7 3284 2111, FAX (61) 7 3284 4827.
 E-MAIL INFO@SIRIUSOBSERVATORIES.COM

CLIENT : MODEL : HOME.

TITLE : **DETAILS**

© COPYRIGHT.
 DRG. **H6 A**

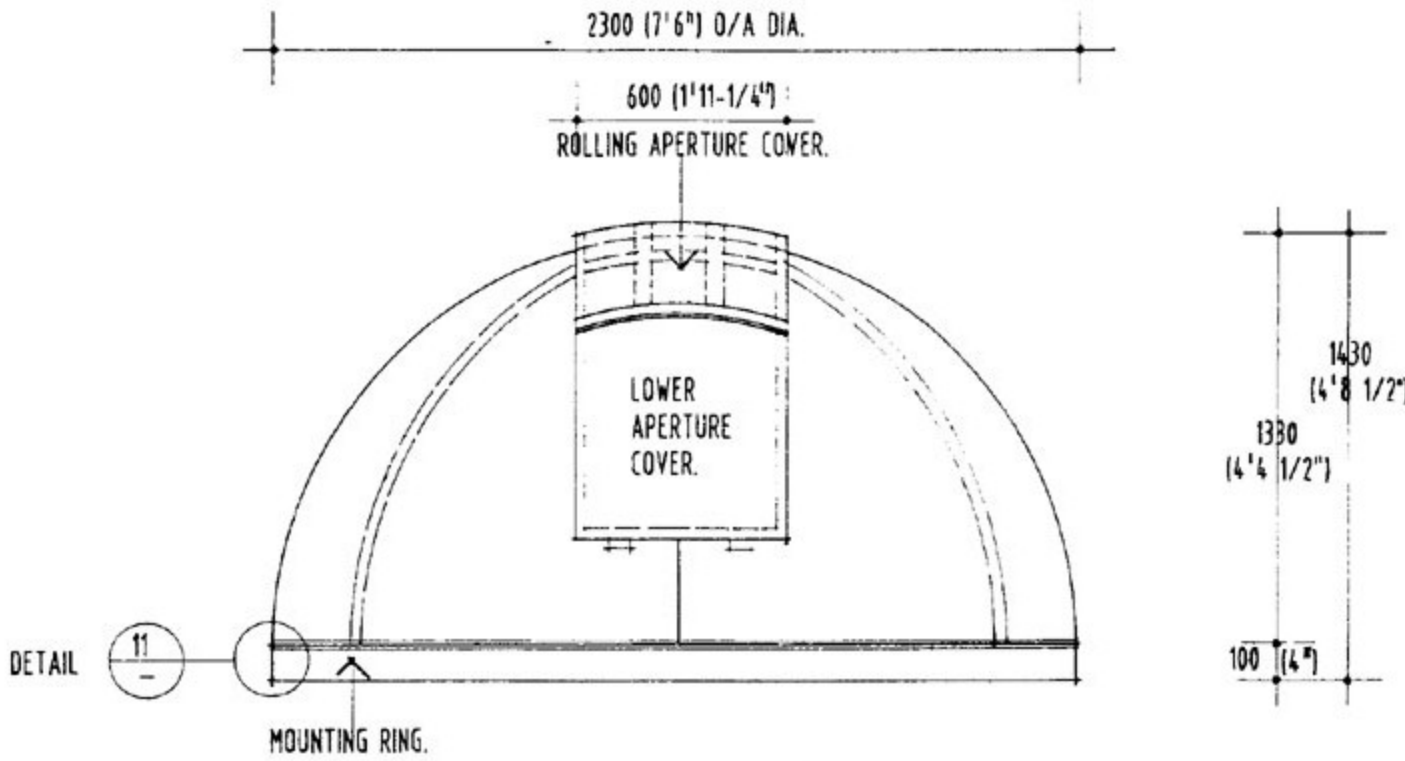
SCALE : 1:2 CHECKED : 9 8 01



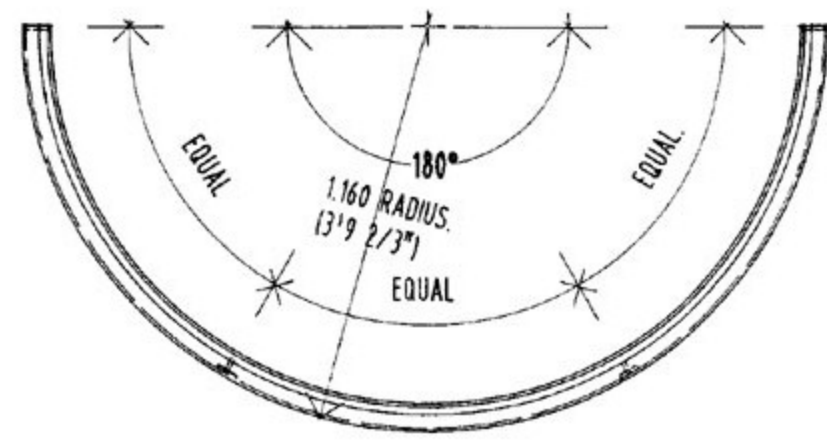
SEE DETAIL $\frac{2}{H4}$ FOR DOME WHEEL ASSEMBLY DETAILS.

- 2 : 6 MM. (1/4") DIA. MACHINE BOLTS.
- 'DOME ONLY' MOUNTING RING.
- NEOPRENE SEAL BETWEEN END GUSSETS.
- CONCRETE ANCHOR : SEE SHEET H.1 FOR SIZE & DETAILS.
- FLANGE.
- NOTE : 4 ANCHOR BOLT FIXINGS PER MOUNTING RING.

DETAIL $\frac{11}{-}$: DOME ROTATION.
'DOME ONLY' SITUATION.



ELEVATION $\frac{A}{H.2}$



DEVELOPED O/A DIMENSION : 7.288 M. (23'10-11/12")

PLAN VIEW : 'DOME ONLY' MOUNTING RING.
2 REQUIRED.

AMENDMENTS : (A) HEIGHT OF DOME.	PROJECT : STANDARD ASSEMBLY DETAILS : HOME MODEL ASTRONOMICAL DOME ONLY.	SIRIUS OBSERVATORIES & PLANETARIUMS AUSTRALIA. A DIVISION OF PENINSULA FIBREGLASS (QLD) PTY. LTD. 33 FILMER STREET, CLONTARF, QUEENSLAND, 4019, AUSTRALIA. PHONE (61) 7 3284 2111. FAX (61) 7 3284 4827. E-MAIL INFO@SIRIUSOBSERVATORIES.COM	CLIENT	MODEL : HOME.
SCALES : 1:2, 1:20.	CHECKED :	21.2.01.	TITLE 'DOME ONLY' INSTALLATION.	© COPYRIGHT DRG. H7A