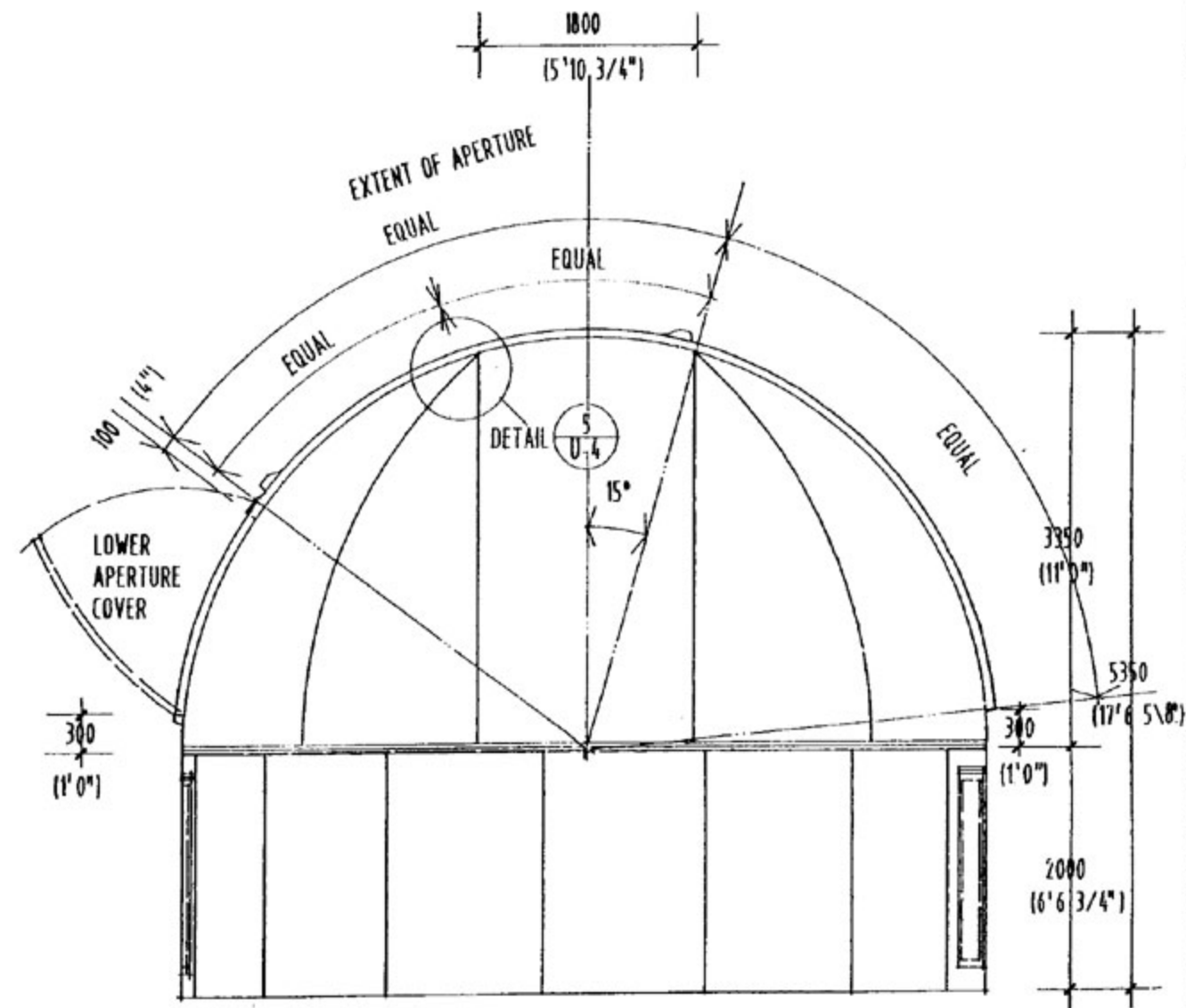


PLAN : WALLS.

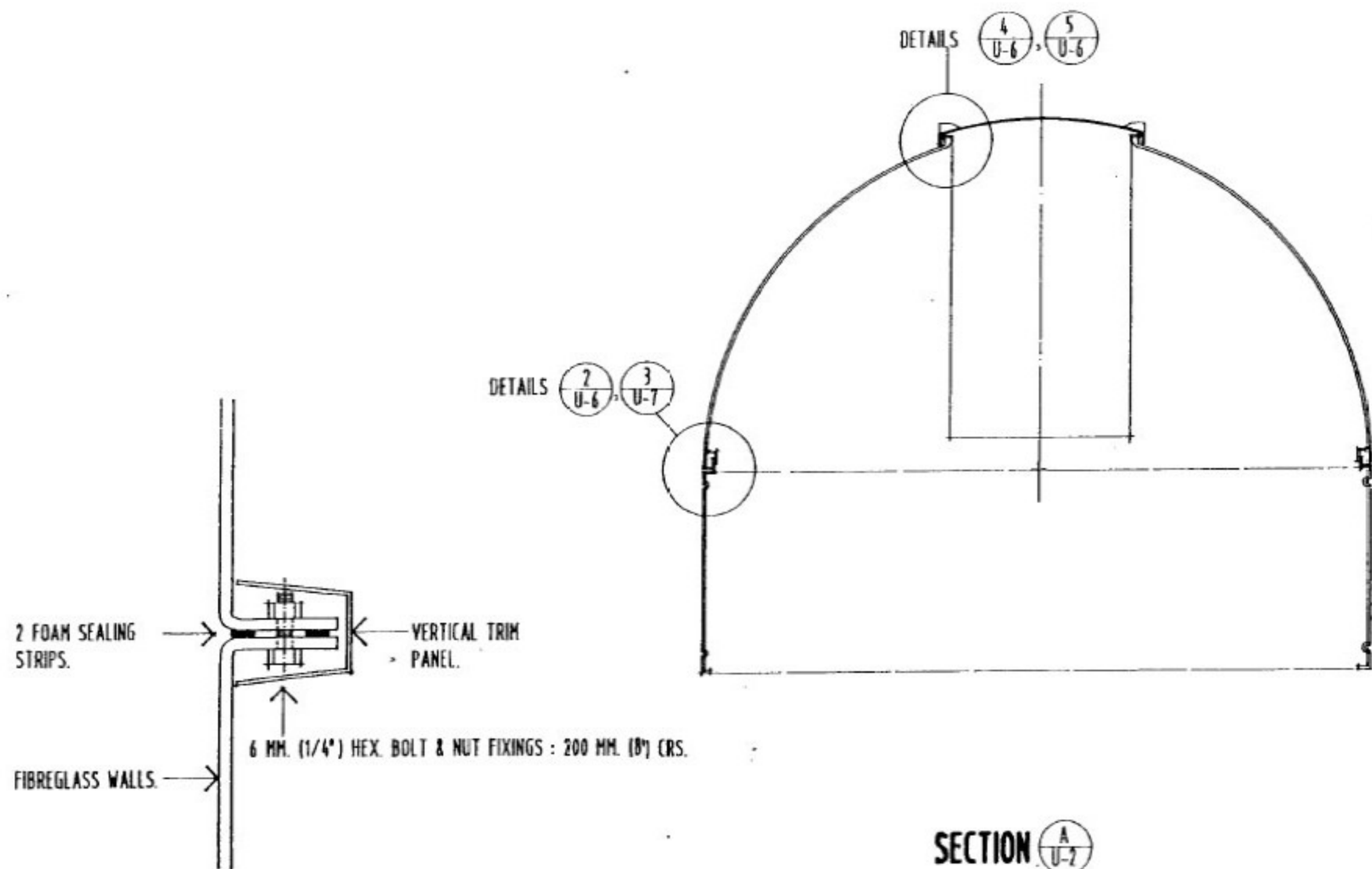
FOR DETAILS OF TYPICAL WALL PANEL REFER TO SHEET U-6.



ELEVATION $\frac{B}{U-1}$

NOTE :
ALL RIGHTS RESERVED FOR THE EXCLUSIVE USE OF PENINSULA FIBREGLOSS (QLD) PTY. LTD.

<p>AMENDMENTS : CHANGE DRAWING NO. ETC.</p>	<p>PROJECT : STANDARD ASSEMBLY DETAILS : UNIVERSITY MODEL ASTRONOMICAL OBSERVATORY.</p>	<p>SIRIUS OBSERVATORIES & PLANETARIUMS AUSTRALIA. A DIVISION OF PENINSULA FIBREGLOSS (QLD) PTY. LTD. 33 FILMER STREET, CLONTARF, QUEENSLAND, 4019, AUSTRALIA. PHONE (61) 7 3284 2111. FAX (61) 7 3284 4827. E-MAIL INFO@SIRIUSOBSERVATORIES.COM</p>	<p>CLIENT</p> <p>TITLE : PLAN & ELEVATION.</p>	<p>MODEL : UNIVERSITY</p> <p>© COPYRIGHT</p> <p>DRG. U 3.</p>
<p>SCALE : 1:50.</p>	<p>CHECKED :</p>	<p>15.1.00.</p>		



DETAIL $\frac{1}{U-3}$

SECTION $\frac{A}{U-2}$

NOTE :

ALL RIGHTS RESERVED FOR THE EXCLUSIVE USE OF PENINSULA FIBREGLASS (QLD) PTY. LTD.

AMENDMENTS : Δ CHANGE DRG. NO. ETC.

PROJECT : **STANDARD ASSEMBLY DETAILS :**
UNIVERSITY MODEL
ASTRONOMICAL OBSERVATORY.

17.1.00.

SIRIUS OBSERVATORIES
& PLANETARIUMS AUSTRALIA.
 A DIVISION OF PENINSULA FIBREGLASS (QLD) PTY. LTD.
 33 FILMER STREET, CLONTARF, QUEENSLAND 4019, AUSTRALIA.
 PHONE (61) 7 3284 2111. FAX (61) 7 3284 4827.
 E-MAIL: INFO@SIRIUSOBSERVATORIES.COM

CLIENT

MODEL : UNIVERSITY

TITLE :

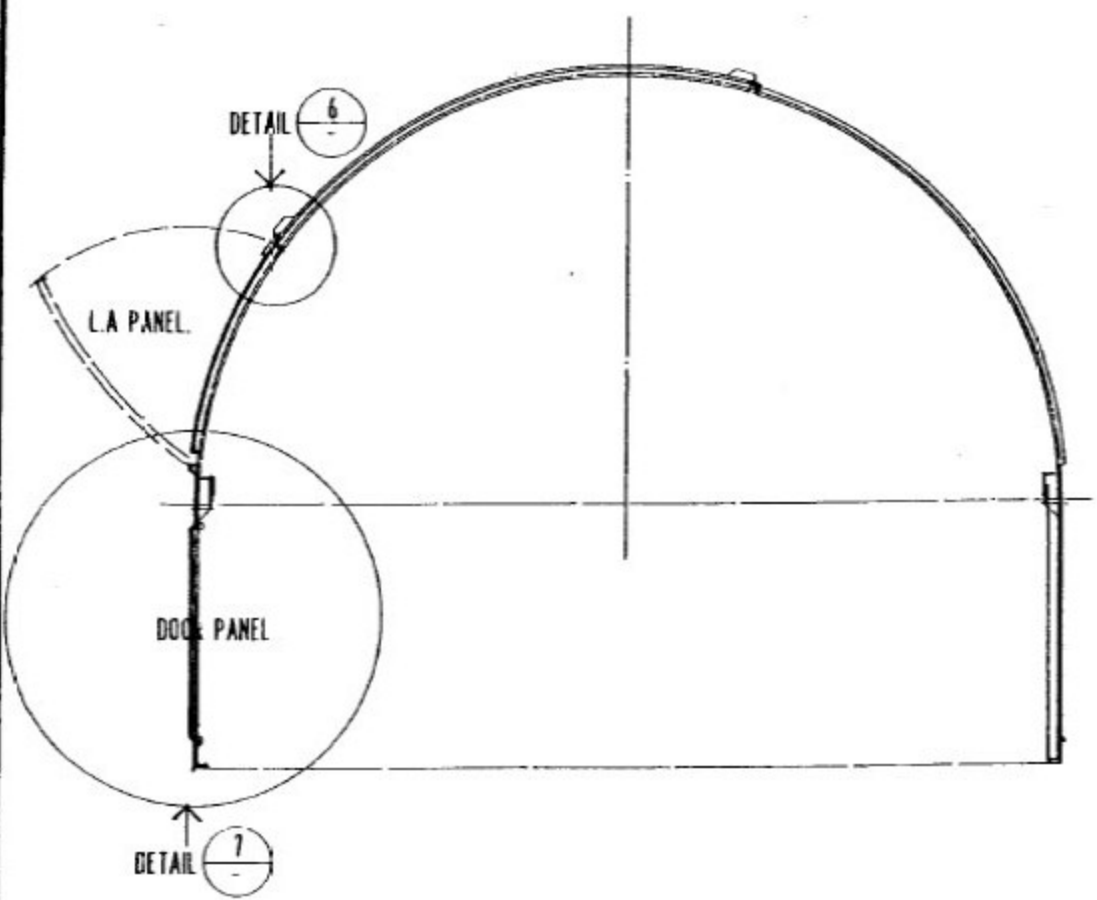
SECTIONS.

C COPYRIGHT

DRG. **U 4.**

SCALE : 1:50. 1:2

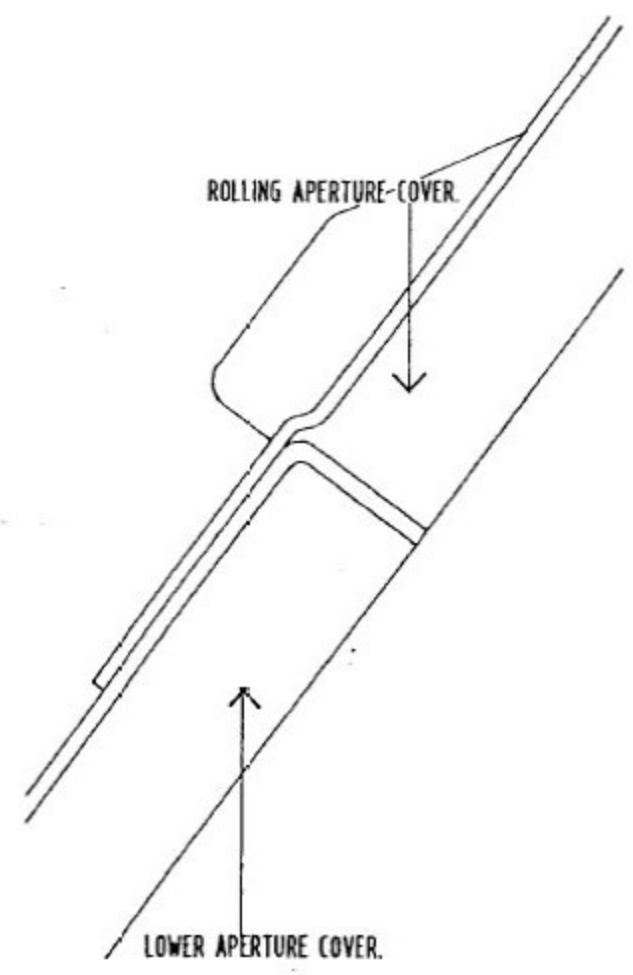
CHECKED :



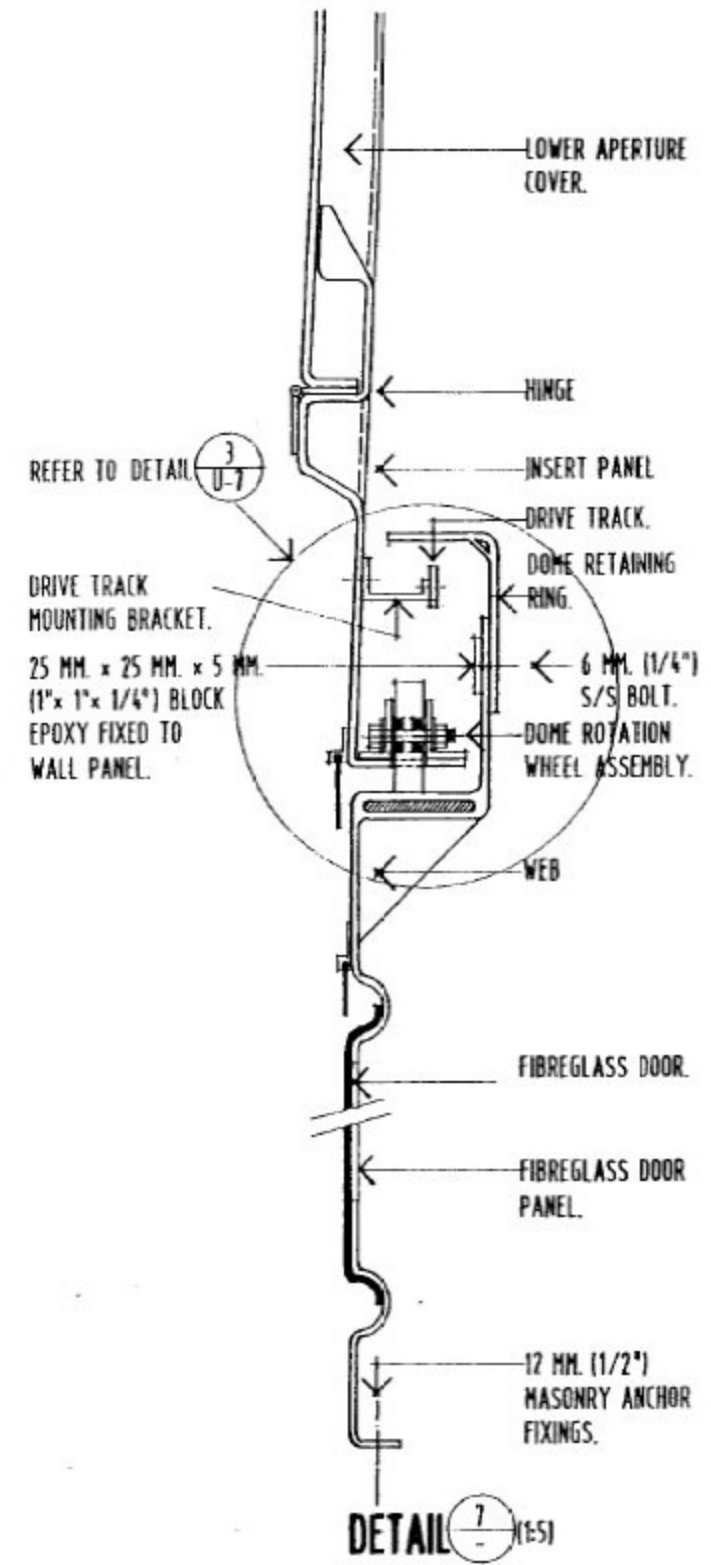
SECTION $\frac{B}{U-2}$

NOTE :

ALL RIGHTS RESERVED FOR THE EXCLUSIVE USE OF PENINSULA FIBREGLASS (QLD) PTY. LTD.



DETAIL $\frac{6}{-}$



DETAIL $\frac{7}{-}$ (1-5)

AMENDMENTS : Δ CHANGE DRG. NO. ETC.
1.8.01.

PROJECT : **STANDARD ASSEMBLY DETAILS :**
UNIVERSITY MODEL
ASTRONOMICAL OBSERVATORY.

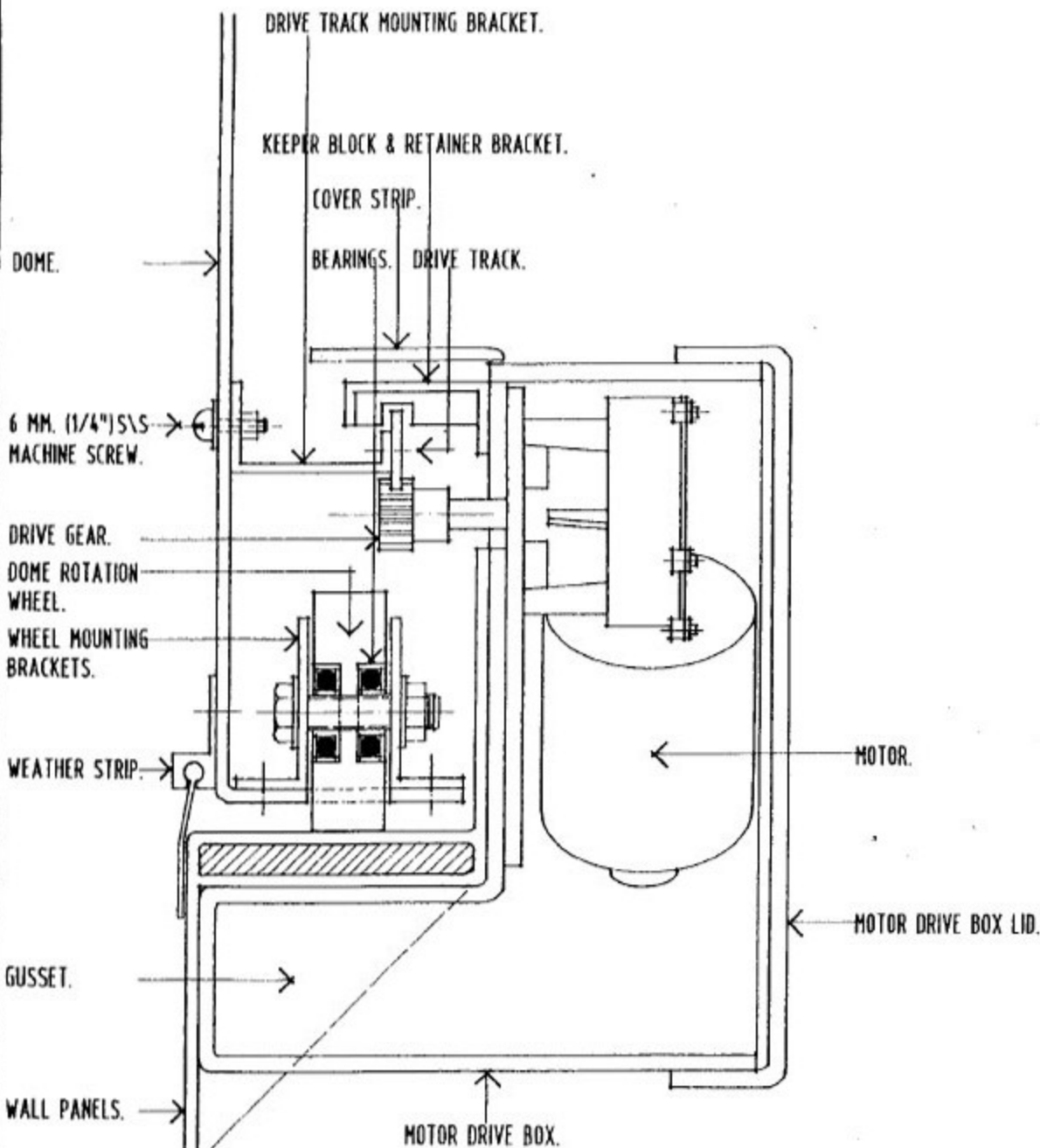
SIRIUS OBSERVATORIES
& PLANETARIUMS AUSTRALIA.
A DIVISION OF PENINSULA FIBREGLASS (QLD) PTY. LTD.
33 FILMER STREET, CLONTARF, QUEENSLAND, 4019, AUSTRALIA.
PHONE (61) 7 3284 2111. FAX (61) 7 3784 4877.
E-MAIL: INFO@SIRIUSOBSERVATORIES.COM

CLIENT	MODEL : UNIVERSITY
TITLE : DETAILS.	C COPYRIGHT
	DRG. U 5.

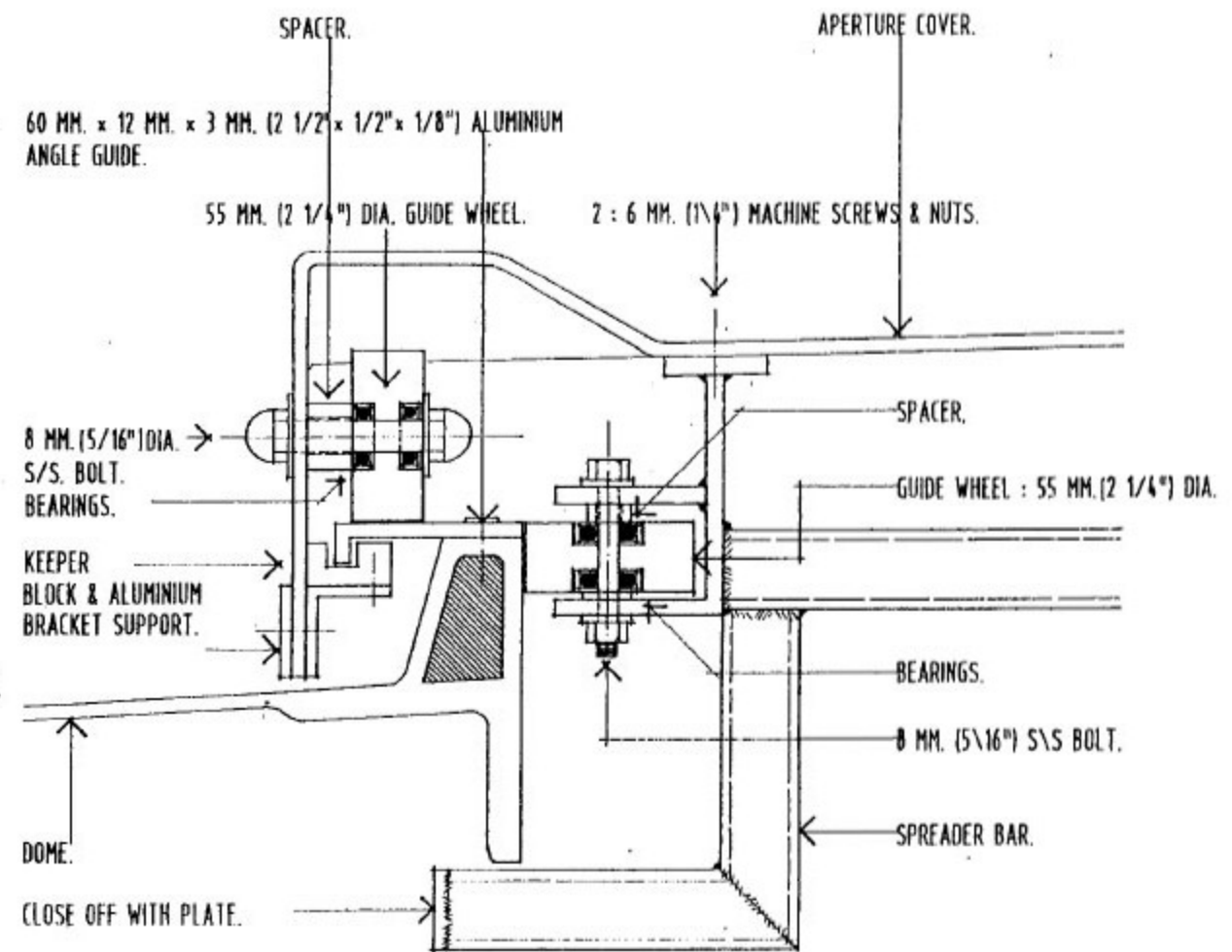
SCALE : 1:50. 1:5. 1:2.

CHECKED :

17.1.00.

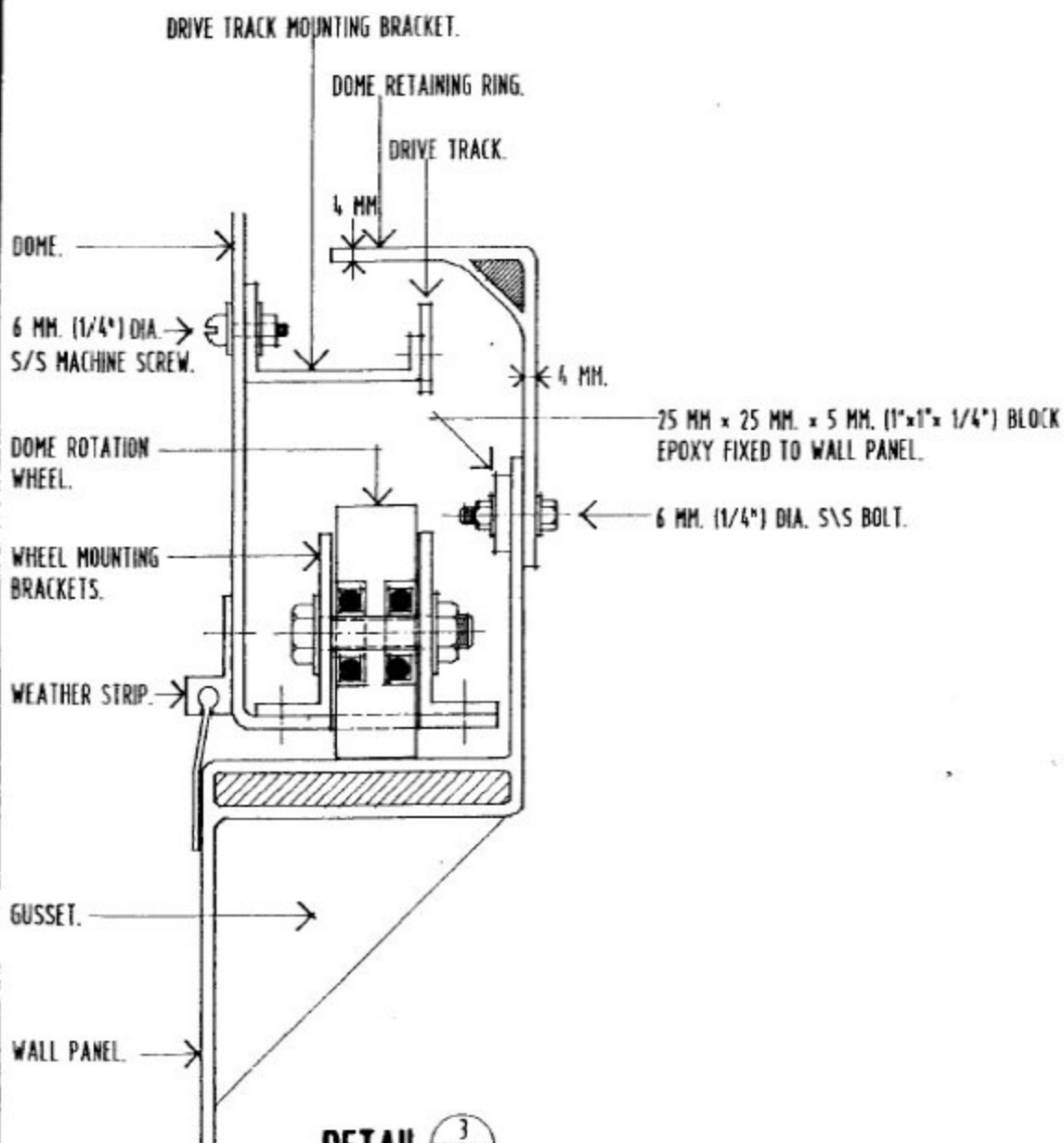


DETAIL $\frac{2}{U-4}$
DOME ROTATION MECHANISM ASSEMBLY.

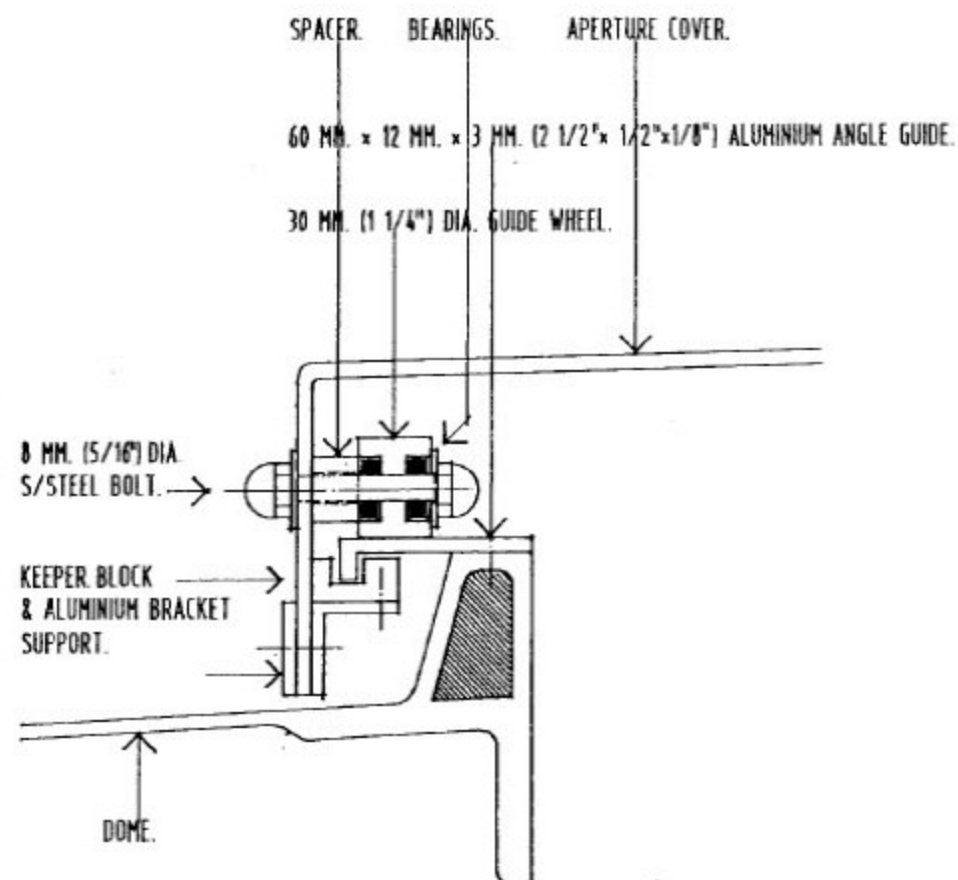


DETAIL $\frac{4}{U-4}$: APERTURE END,
MAIN APERTURE COVER ASSEMBLY.

AMENDMENTS : Δ CHANGE DRG. NO. ETC.	PROJECT : STANDARD ASSEMBLY DETAILS : UNIVERSITY MODEL ASTRONOMICAL OBSERVATORY.	SIRIUS OBSERVATORIES & PLANETARIUMS AUSTRALIA. A DIVISION OF PENINSULA FIBREG. ASS (OLD) PTY. LTD. 33 FILMER STREET, CLONTARF, QUEENSLAND 4019, AUSTRALIA. PHONE (61) 7 3284 2111, FAX (61) 7 3284 4877. E-MAIL INFO@SIRIUSOBSERVATORIES.COM	CLIENT	MODEL : UNIVERSITY
SCALE : 1:2	CHECKED :	10.1.00.	TITLE : DOME & APERTURE MECHANISM.	C COPYRIGHT.
				DRG. U 6



DETAIL $\frac{3}{U-4}$
 DOME ROTATION.



DETAIL $\frac{5}{U-4}$: MID-POINT.
 MAIN APERTURE COVER ASSEMBLY.

AMENDMENTS : Δ CHANGE DRG. NO. ETC.
 ∇ GLASS THICKNESS ETC.

PROJECT : **STANDARD ASSEMBLY DETAILS :**
UNIVERSITY MODEL
ASTRONOMICAL OBSERVATORY.

SIRIUS OBSERVATORIES
 & PLANETARIUMS AUSTRALIA.
 A DIVISION OF PENINSULA FIBREGLASS (QLD) PTY. LTD.
 33 FILMER STREET, CLONTARF, QUEENSLAND, 4019, AUSTRALIA.
 PHONE (61) 7 3284 2111. FAX (61) 7 3284 4827.
 E-MAIL INFO@SIRIUSOBSERVATORIES.COM

CLIENT :

MODEL : UNIVERSITY

TITLE : **DOME & APERTURE**
ROLLERS.

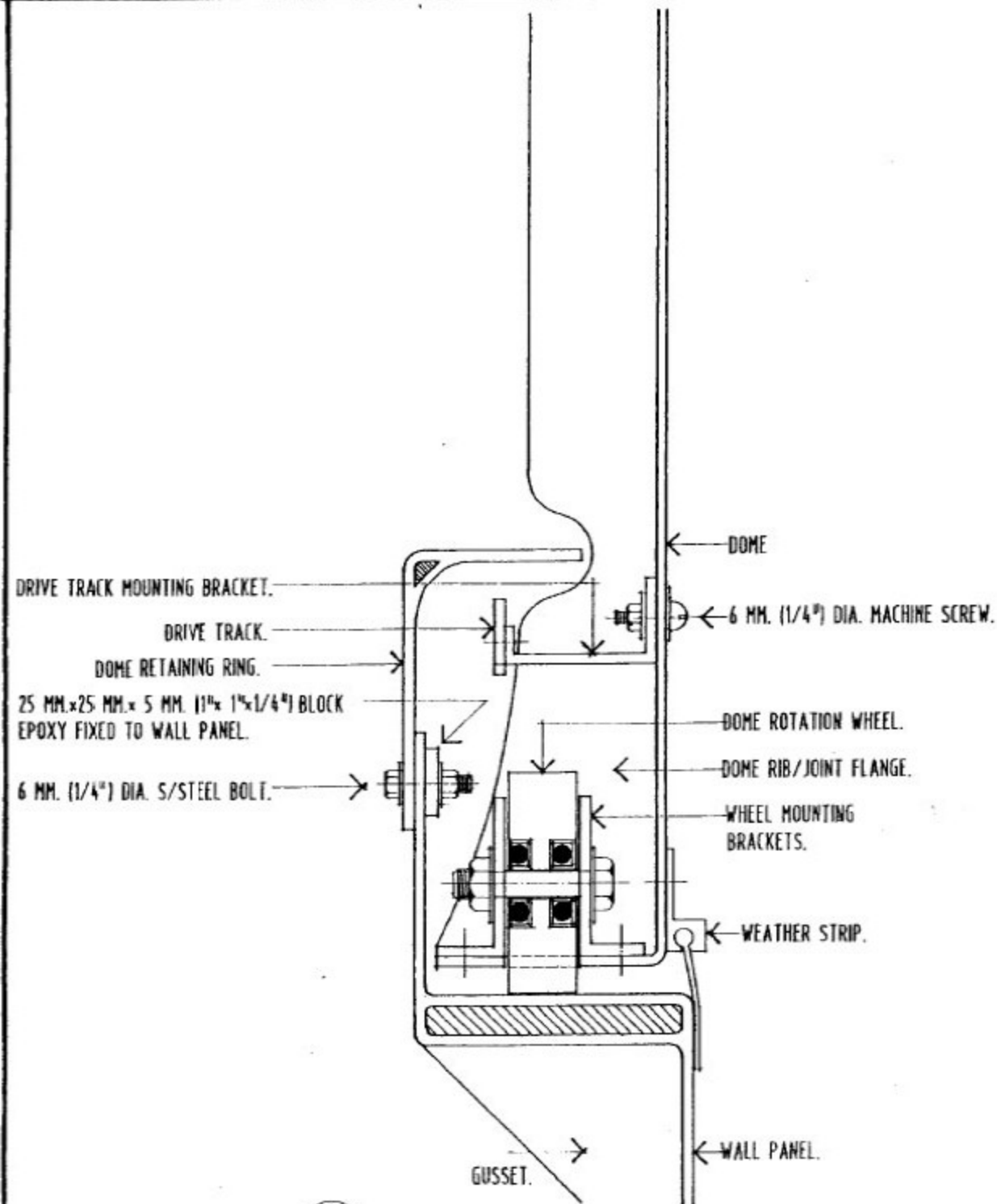
C COPYRIGHT

DRG. **U 7.**

SCALE : 1:2

CHECKED :

19.2.01.



DETAIL $\frac{8}{U-9}$ DOME RETAINING RING.

AMENDMENTS : Δ CHANGE DRG. NO. ETC.
 \triangle EXCHANGE TURN BUCKLE FOR DOME
 RETAINING RING.

SCALES : 1:2 1:5 CHECKED :

PROJECT : **STANDARD ASSEMBLY DETAILS :**
UNIVERSITY MODEL
ASTRONOMICAL OBSERVATORY.
 20.2.01.

SIRIUS OBSERVATORIES
& PLANETARIUMS AUSTRALIA.
 A DIVISION OF PENINSULA FIBREGLASS (QLD) PTY. LTD.
 33 FILMER STREET, CLONTARF, QUEENSLAND, 4019, AUSTRALIA.
 PHONE (61) 7 3284 2111. FAX (61) 7 3284 4827.
 E-MAIL INFO@SIRIUSOBSERVATORIES.COM

CLIENT

TITLE : **DOME RETAINING RING.**

MODEL : UNIVERSITY

C COPYRIGHT
 DRG. **U 8**